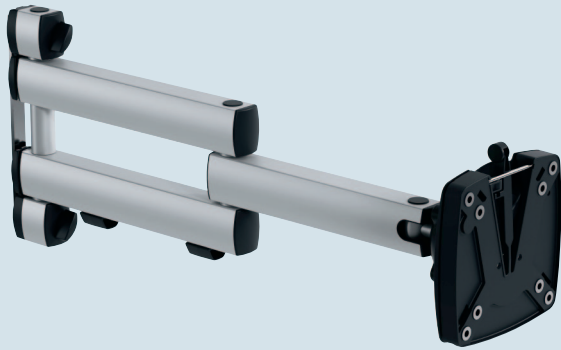


## NOVUS TSS folding arm III

Support arm with reinforced 2-part articulated arm and QuickRelease for standard 75/100 monitor mount. Monitors weighing no more than 15 kg can be infinitely adjusted in any direction. Includes two cable holders. Reach: 505 mm.



### Version



silver /  
anthracite

### Art.No.

965+0119+000

### Bar code

4009729046975

### Equipment



The adapter plate permits the straightforward attachment of all monitors with the standard 75 or 100 mount.



The product can be turned to either side and has the mentioned reach in mm.



When used conventional.



This machine bears the GS approval of product safety.

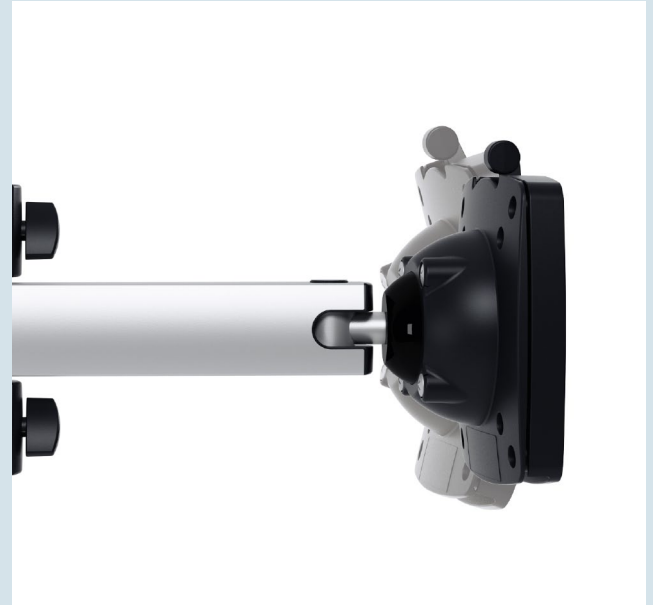


The quality statement „German Engineering“ ensures that a product was developed according to german quality standards by our engineering experts. All Novus products carrying the German Engineering by Novus signet are manufactured in our own plants around the world by our own workforce, managed and supervised by our own headquarters in Germany.

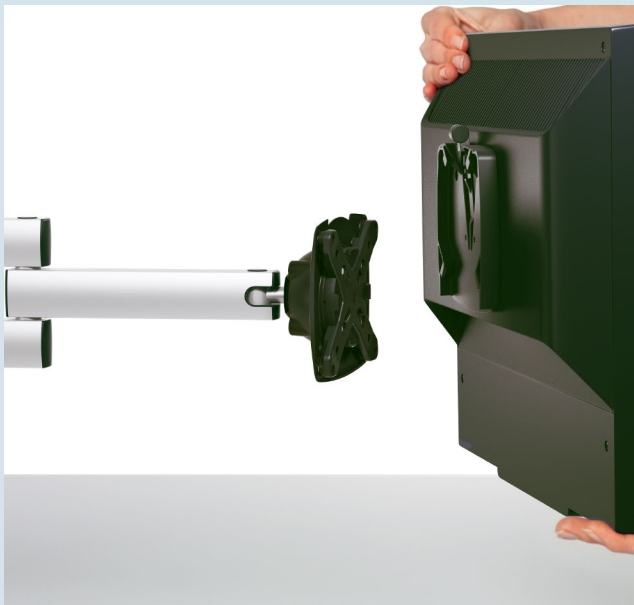
## NOVUS TSS folding arm III



The cable holder in the folding arm ensures safe, tidy cable management.



Ball-joint for versatile, precision monitor positioning.



With NOVUS QuickRelease for changing monitors quickly and conveniently without tools.



Thanks to their multi-part articulated design, TSS folding arms can be turned horizontally through any distance to provide the best possible monitor viewing angle around the column. Depending on column attachment.